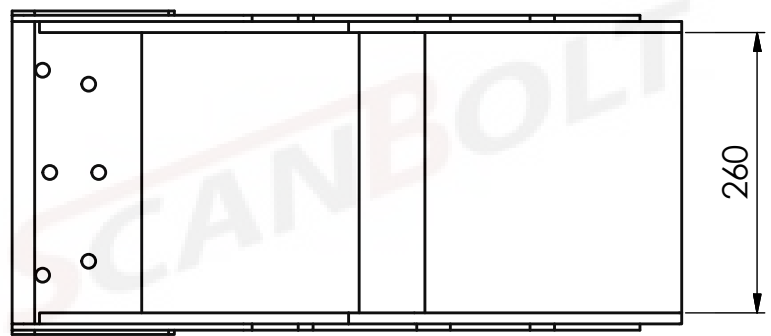
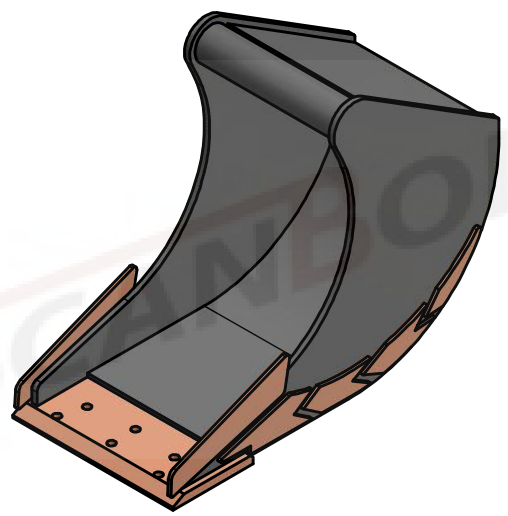


8 7 6 5 4 3 2 1

D

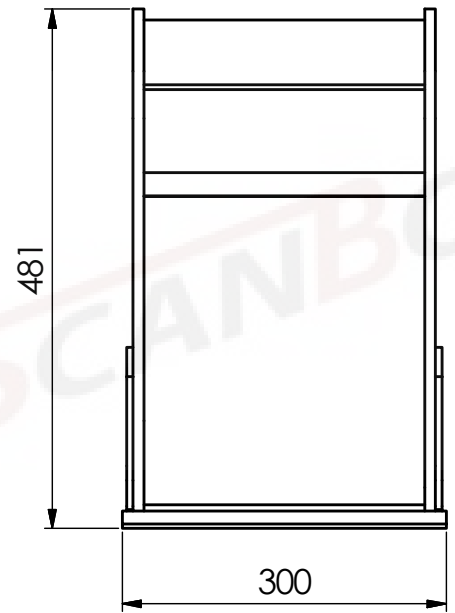
D



260

C

C

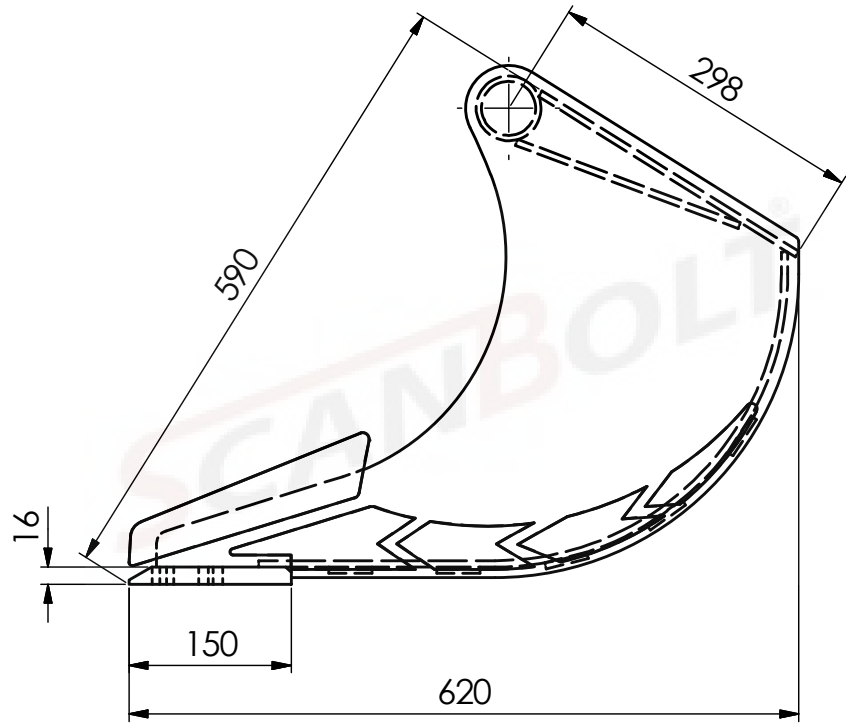


481

300

B

B



590

298






150

16

620

A

A

| MATERIAL SPECIFICATION | |
|--|-----------------|
|  | ST52.3 |
|  | EN8D |
|  | HB 400 |
|  | HB 450 |
|  | CASTALLOY STEEL |

| SCANBOLT® | |
|------------------|---------------------|
| DESCRIPTION | 30CM DIGGING BUCKET |
| MACHINE CLASS | 2.5-3.4 TON |
| WEIGHT | 47.8 Kg |
| HEAPED CAPACITY | 46.2 LITERS |

8 7 6 5 4 3 2 1